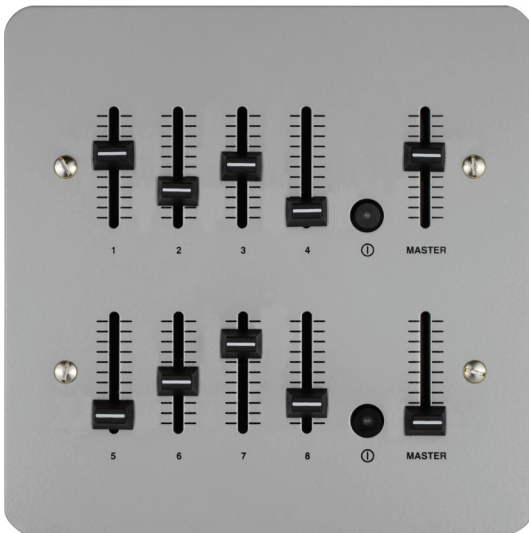
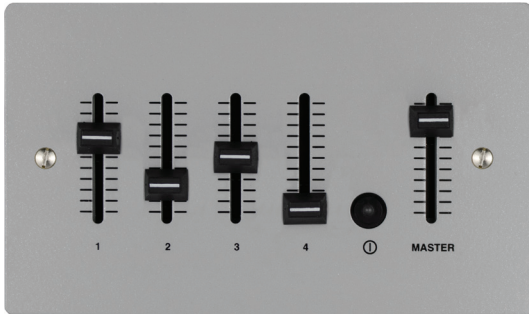


# Remote Outstations



## Key Features

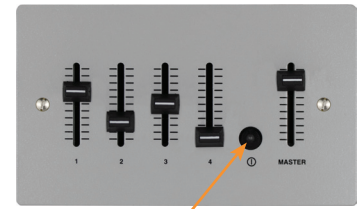
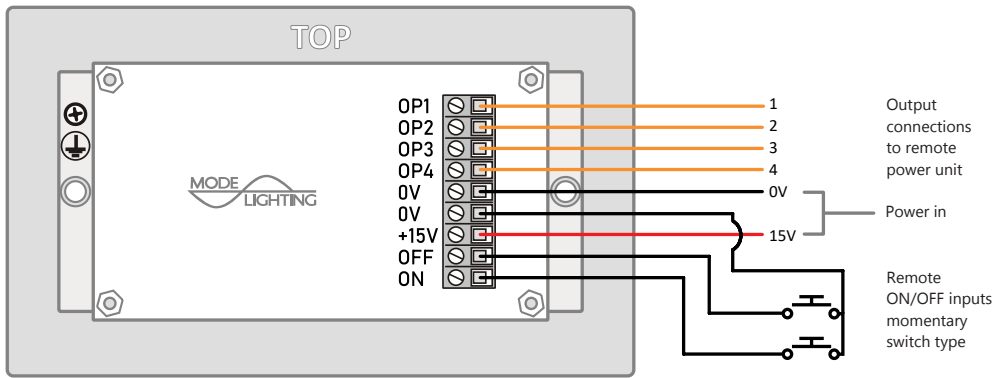
- » 4 and 8 channel slider outstations.
- » Individual channel adjustment.
- » Master slider control.
- » Single button ON/OFF control for each bank of 4 channels.
- » Remote switch ON/OFF override facility.
- » Fit standard back box sizes (deep type).
- » Complies with EC EMC and Low Voltage Directives (CE).
- » 2 year warranty.

**MIRAGE**  
by Mode

The SD range of remote outstations provide 4 or 8 channels of control to operate Mode Power Units or Relay Units. Each 4 channel bank of sliders has a master slider and ON/OFF button for overall control.



### System Architecture



ON/OFF Switch  
Green = On  
Red = Off

Mode recommend standard multicore cable, minimum 0.22mm<sup>2</sup> conductor size. Control cables should be installed with 100mm clearance to avoid electrical noise.

### Technical Data

| Power                              |  |  |
|------------------------------------|--|--|
| Power Supply                       | » +15V DC (available from Mode Power or Relay Units)<br>» Maximum current required |  |
| Connections & Cable Specifications |  |  |
| Outputs                            | » Four or Eight 0-6V or 0-10V DC outputs   |  |
| Overrides                          | » Volt free inputs for ON/OFF control  |  |
| Operates                           | » Mode Mirage remote Power Units and Tiger Power Units                             |  |
| Mechanical                         | SD-00-04   | SD-00-08                                 |
| Standards                          | » EN50081-1, EN50082-1, EN60950  |  |
| Connection                         | » Screw terminals  |  |
| Dimensions                         | » 86mm High x 155mm Wide x 55mm Deep   | » 155mm High x 155mm Wide x 55mm Deep    |
| Fixing Centres                     | » 121mm  | » 121mm x 61mm                           |
| Weight                             | » 0.15kgs  | » 0.64kgs                                |
| Packed Size                        | » 155mm High x 268mm Wide x 80mm Deep  | » 171mm High x 163mm Wide x 80mm Deep    |
| Packed Weight                      | » 0.24kgs  | » 0.73kgs                                |
| Plate Finish                       | » Aluminium  |  |
| Back Box Required                  | » 2 gang back box (not supplied)   | » 6/8 gang back box (supplied with unit) |

**Note**  
For additional technical information refer to Installation Guide SD-00-04/08.

### Compatible Products

The SD range of controls are commonly used with the following products:

- MP-10-01**      1 x 10A mains dimmable power unit.      **MP-06-08**      8 x 6A mains dimmable power unit.
- MP-10-04**      4 x 10A mains dimmable power unit.      **MRP-10-01**      1 x 10A mains switching / 1-10V control relay unit.

See power unit data sheets for further details.

Installation should be in accordance with the relevant National Wiring Regulations and other applicable Regulations. Compliance to EC EMC and Low Voltage Directives may be invalidated if not used or installed according to the published specification. SD-00-04/08 should be located in well ventilated areas and should not be covered or enclosed by insulating materials.



Mode Lighting Limited. The Maltings, 63 High Street, Ware, Hertfordshire, SG12 9AD. United Kingdom.  
Tel: +44 (0) 1920 462121 | Fax: +44 (0) 1920 466881 | Email: sales@modellighting.com | www.modellighting.com